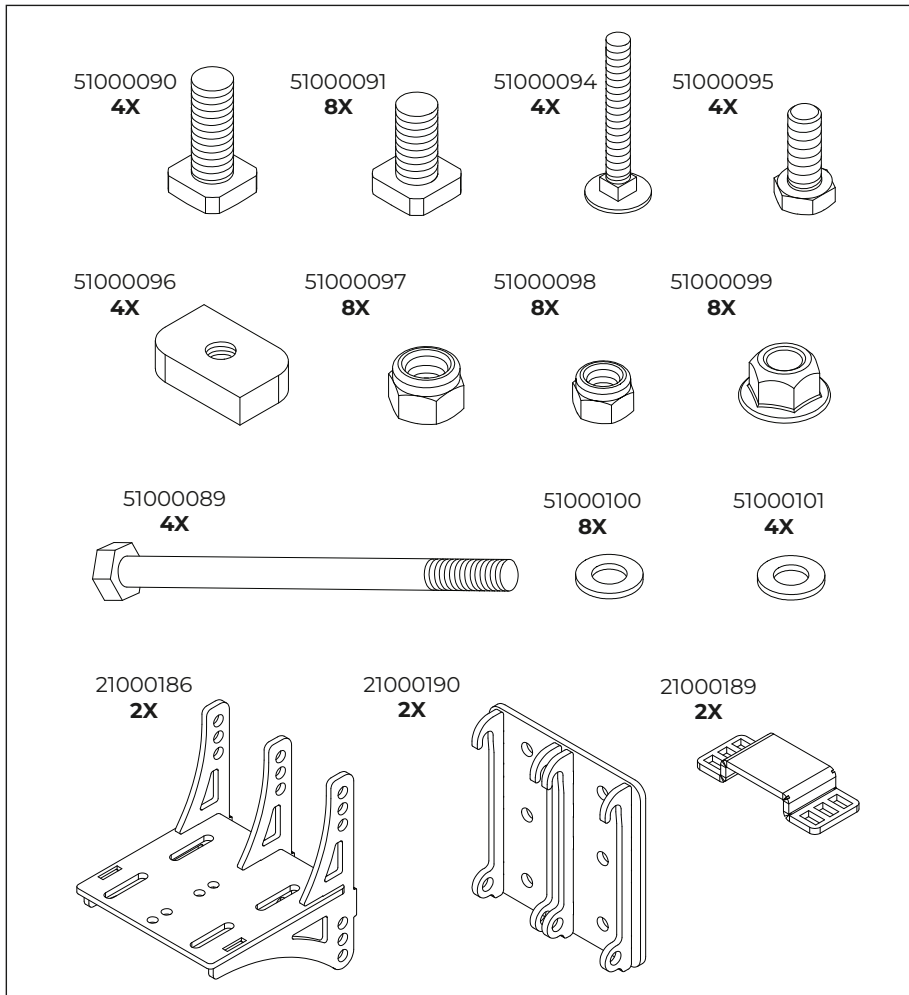


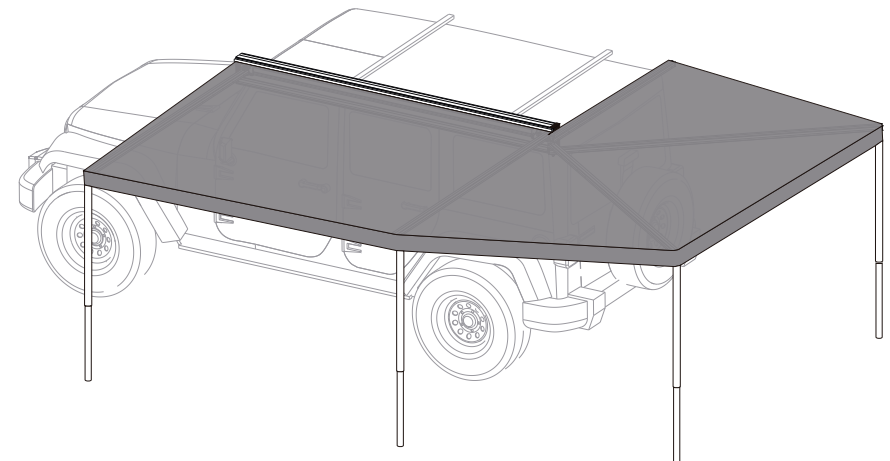
# COMPONENTS



 **JAMES BAROUD**

## EN INSTALLATION GUIDE

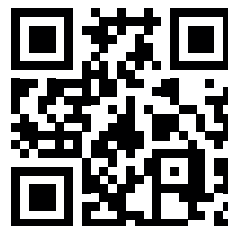
- FR Guide d'installation
- DE Installationsanleitung
- ES Guía de instalación
- PT Guia de instalação



READ MORE ON

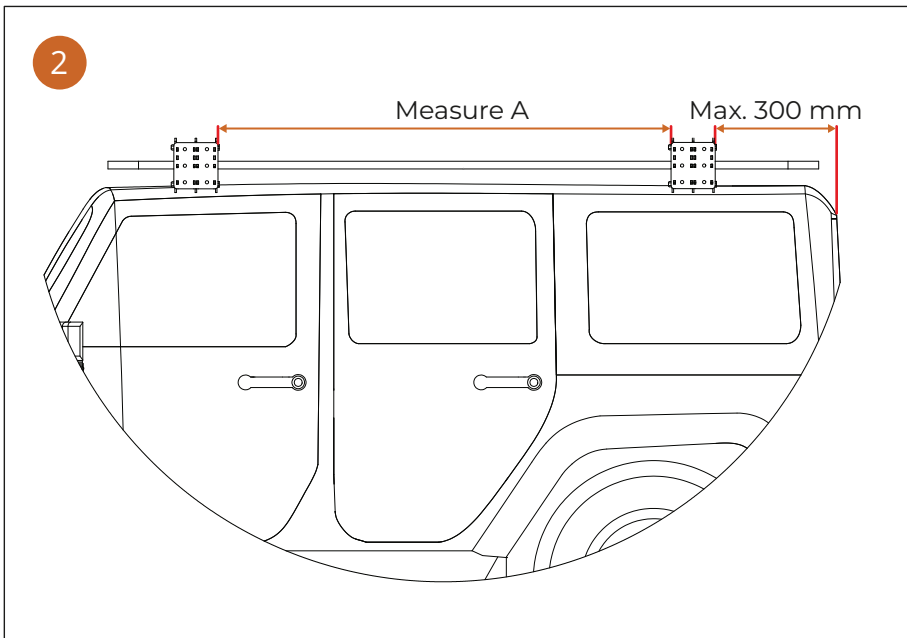
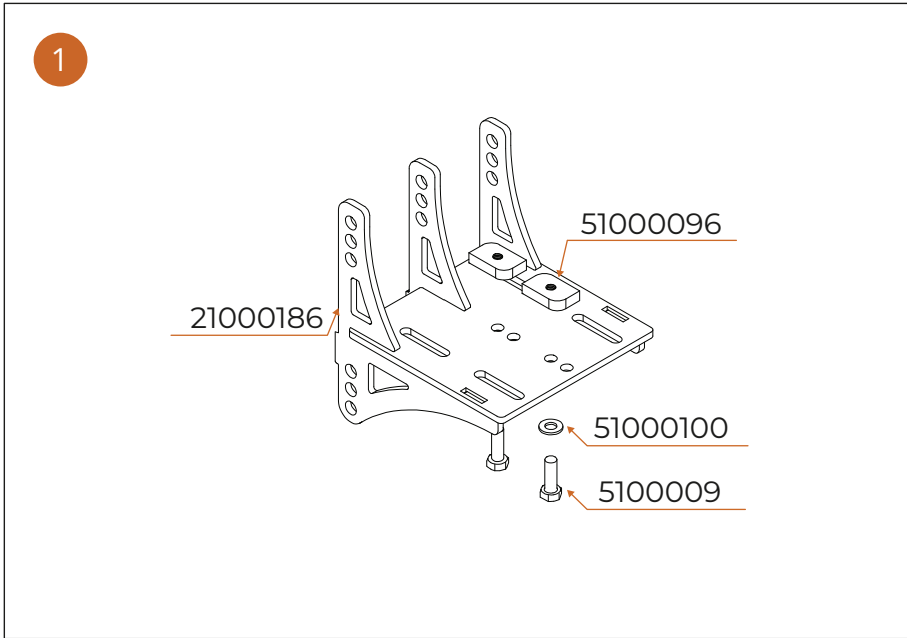
[jamesbaroud.com](https://jamesbaroud.com)

[@jamesbaroudofficial](https://www.instagram.com/jamesbaroudofficial)

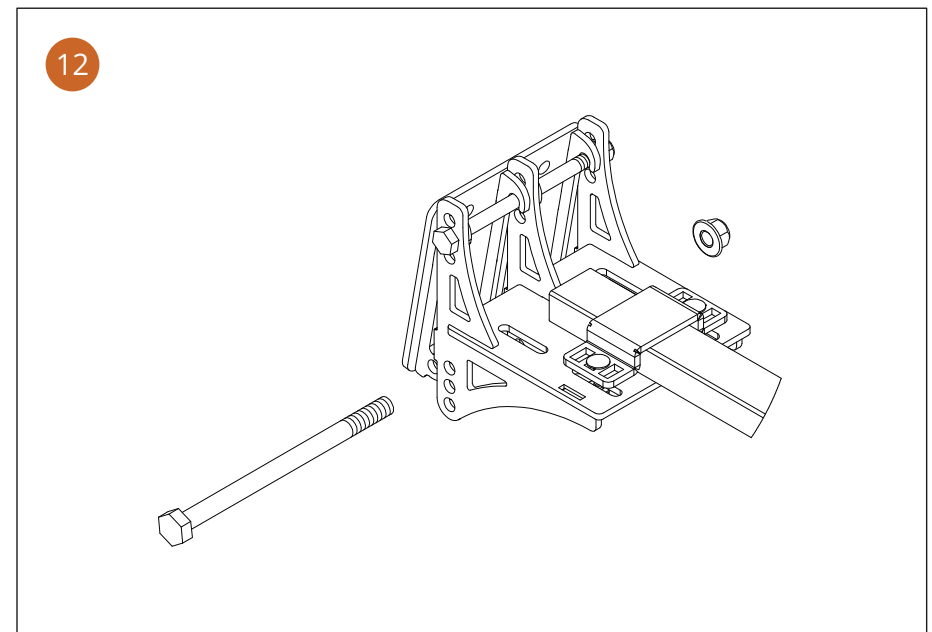
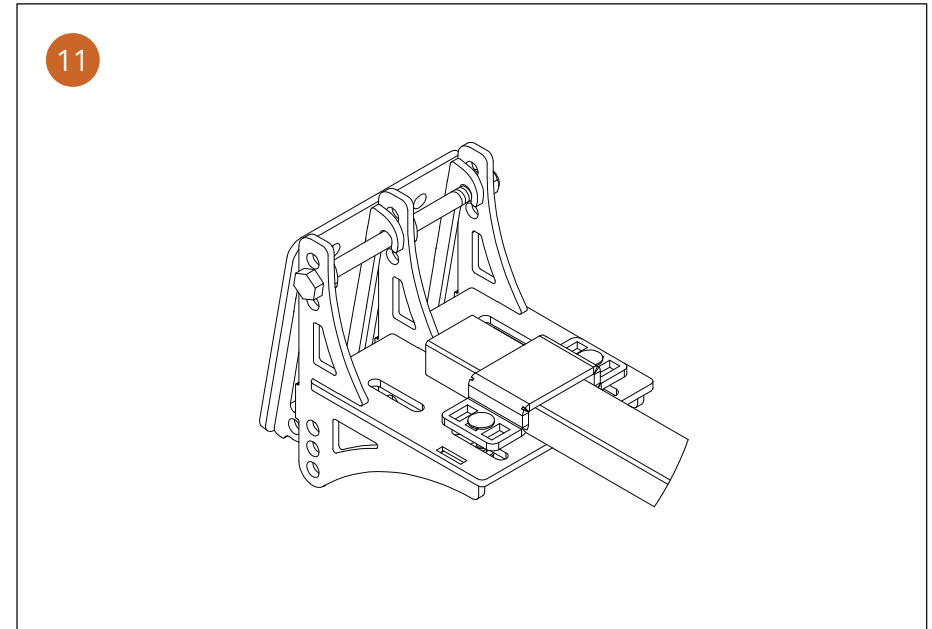


**Falcon 270**

# ASSEMBLY

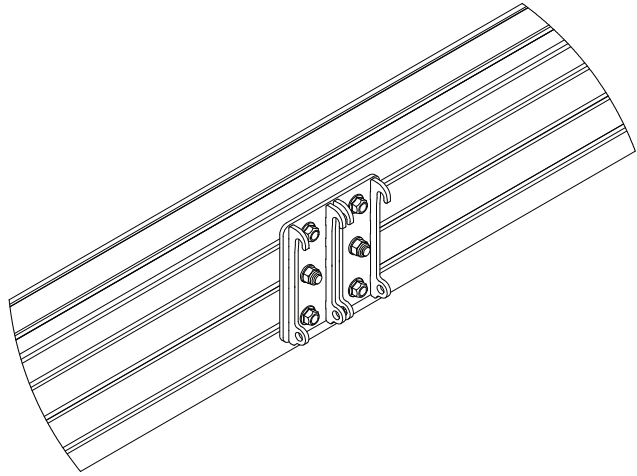


# ASSEMBLY



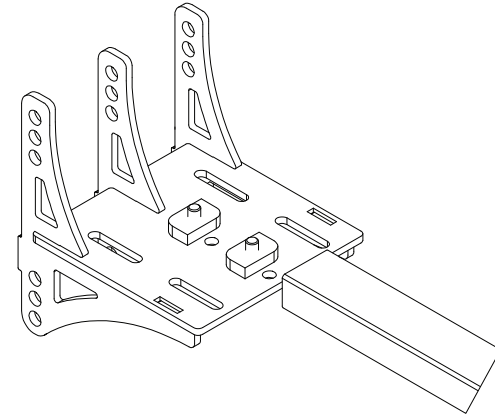
# ASSEMBLY

9

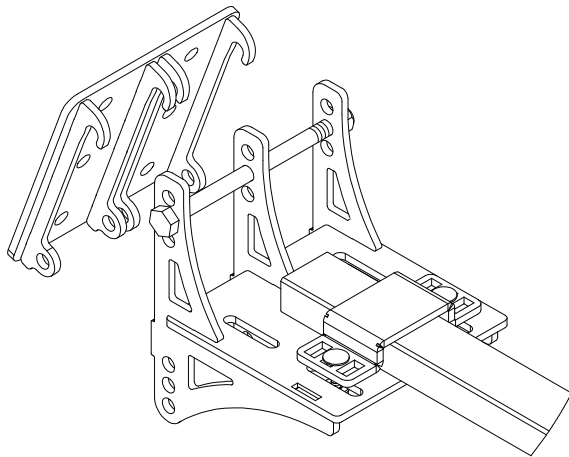


# ASSEMBLY

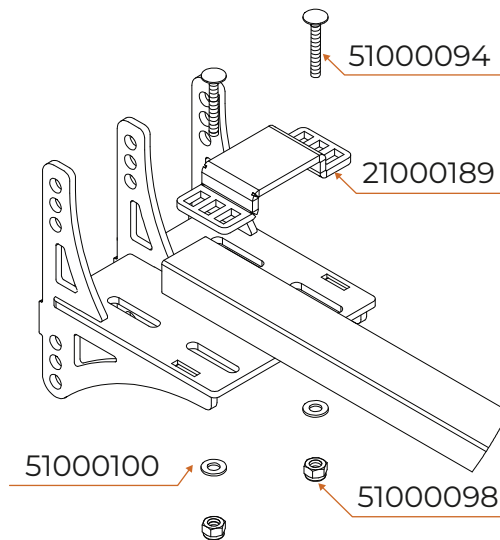
3



10

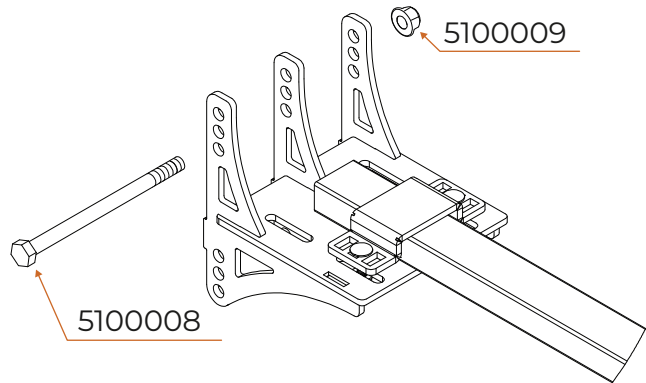


4

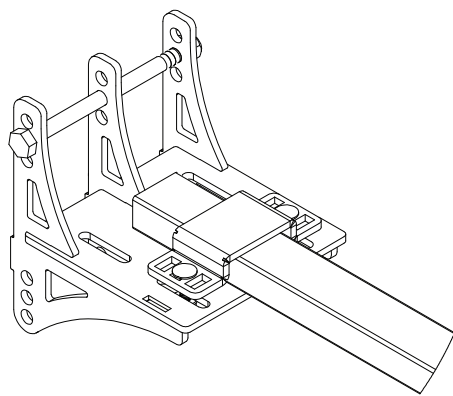


# ASSEMBLY

5

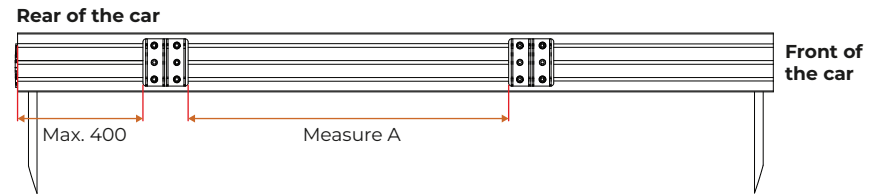


6



# ASSEMBLY

7



8

